

DIN Rail Adaptors

DIN rail adaptor

This metal DIN rail adaptor is intended for mounting 1-phase relays directly on DIN rail or for mounting to a heatsink assembly. This DIN clip is integrated in Carlo Gavazzi heatsink kits RHS100, RHS300, RHS301



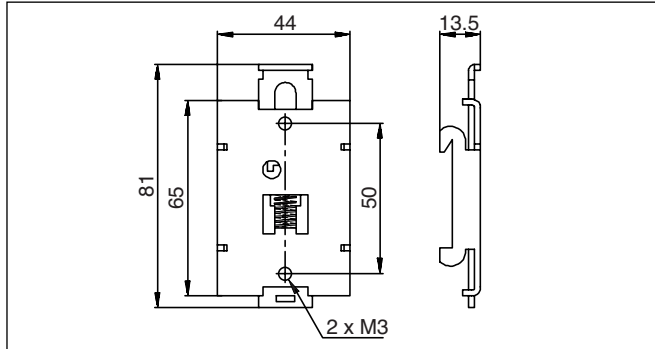
Ordering Key

DIN rail clip

RHS00

For factory mounting of clip to solid state relay

R... H8
(ex. RS1A23D25H8)



Dimensions in mm

RGS DIN rail adaptor

Any RGS relay can be DIN rail mountable with this RGS1DIN accessory. The DIN rail clip is plastic but has an integrated aluminium plate that permits a current rating of up to 12AAC @ 40°C. Refer to RGS datasheets for further details.



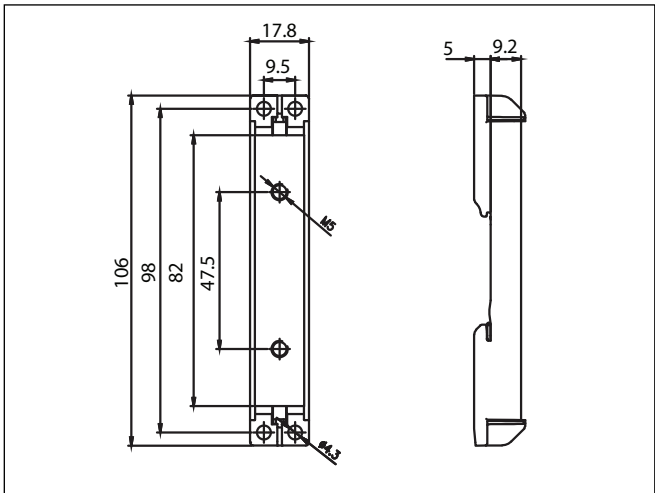
Ordering Key

DIN rail clip

RGS1DIN

For factory mounting of clip to solid state relay

RGS... DIN
(ex. RGS1A23D25KKEDIN)



Dimensions in mm