

Proximity Magnetic Sensors Explosive Environment Level Sensors ILM Atex Series - Intrinsically safe



- Spherical or cylindrical AISI316 stainless steel housing
- Intrinsically safe, NO or CO output function
- PVC cable or silicone cable
- According to EN 60079-0 and 60079-11
- Atex certified



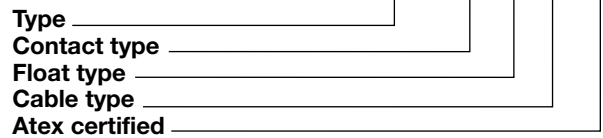
Product Description

These products have been developed and approved to be used in potentially explosive areas, applying protection methods for the intrinsic safety, in accordance with EN 60079-0 normative (Electrical apparatus for poten-

tially explosive atmospheres. General requirements) and EN 60079-11 (Intrinsic safety "i"). ILM magnetic sensors are in category 1, suitable for zone 0, 1 or 2 (gas), 20, 21 or 22 (dusts).

Ordering Key

ILM A0 C SL EX



Atex Marking

As for 94/9/EC (ATEX) Directive, products are marked:



Marking as for ATEX directive: **II 1 G or II 1 D**

- **II**: group, it identifies the surface industry.
- **1**: very high protection category, allowing use in areas where an explosive atmosphere is present continually or for long periods (zone 0 and 20, covering also zone 1, 21, 2 and 22).
- **G**: presence of gases, vapours and mists.
- **D**: presence of explosive dust.
- **Ex**: product realized for use in explosive environments.
- **ia**: level of protection for intrinsic safety. The ignition energy (thermal, mechanical, chemical and so on) is not enough to create an explosion, also in case of up to 2 countable faults.
- **IIC**: group of explosive gases with minimum ignition energy 0,02 mJ (Hydrogen/Acetylene, valid also for groups IIA- Propane and IIB-Ethylene).
- **IIIC**: group of explosive dust (conductive dust, valid also for group IIIA-combustible flyings and IIIB-non conductive dust).
- **T6**: maximum surface temperature 85°C (gas or vapour ignition temperature > 85°C).
- **T 100°C IP67**: max surface temperature and protection degree, with reference to presence of explosive dusts.
- **Ga, Da**: equipment protection level respectively for gas and dust, according to EN60079-0. Equipment with a very high level of protection, which is not source of ignition in normal operation, during expected malfunctions or during rare malfunctions.

Type Selection

Float type	Output function	Cable type	Reference
Cylindrical, AISI 316 stainless steel	NO	2 m, silicone	ILM A0 C SL EX
Spherical, AISI 316 stainless steel	NO	2 m, silicone	ILM A0 S SL EX
Cylindrical, AISI 316 stainless steel	CO	2 m, PVC	ILM S0 C EX
Spherical, AISI 316 stainless steel	CO	2 m, PVC	ILM S0 S EX



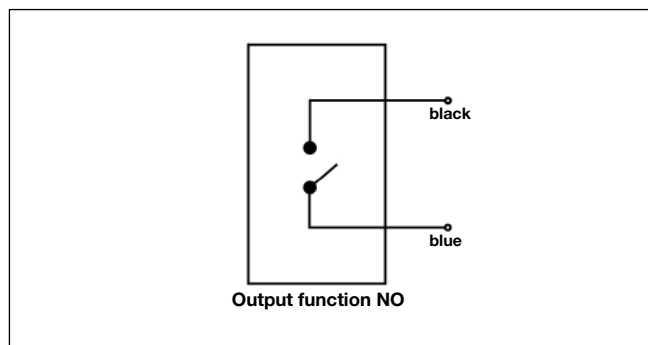
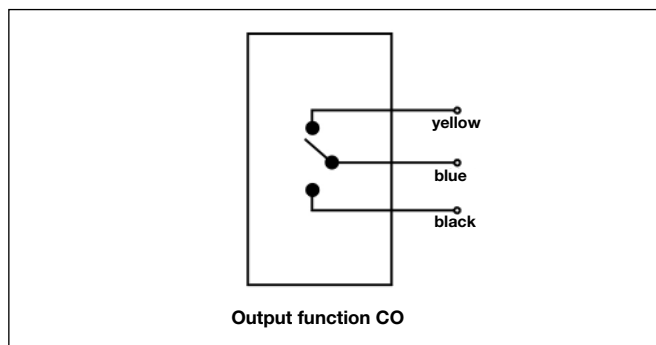
Output Specifications

Output	ILMA0 ILMS0	Normally open Change-over
Contact ratings		
Max Switching Voltage		30 VAC/DC
Max Switching Current		120 mA

General Specifications

Operating temperature	-20 to +60 °C
Degree of protection	IP 68 (cable output IP67)
Float	
Diameter	Ø 53 mm
ILMxxS	45 x 55 mm
ILMxxC	AISI 316 stainless steel
Material	
Shape	
ILMxxS	Spherical
ILMxxC	Cylindrical
Min. liquid specific gravity	0.75 kg/dm ³
Maximum pressure	20 Kg/cm ²
Approvals	ATEX
CE-marking	Yes

Wiring Diagrams



Dimensions

