

Solid State Relays Accessories Types BBR, RHS00, KK071



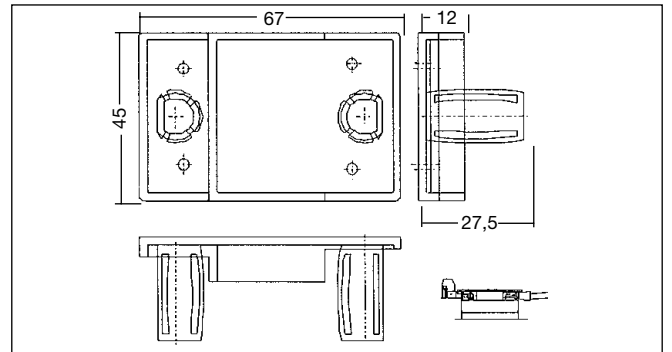
Protection Covers

BBR

Cover for 1-phase SSRs. In order to achieve a higher protection degree for 1-phase relays, the cover must be mounted correctly on top of the relay.

Material
Colour

Plastic
Transparent



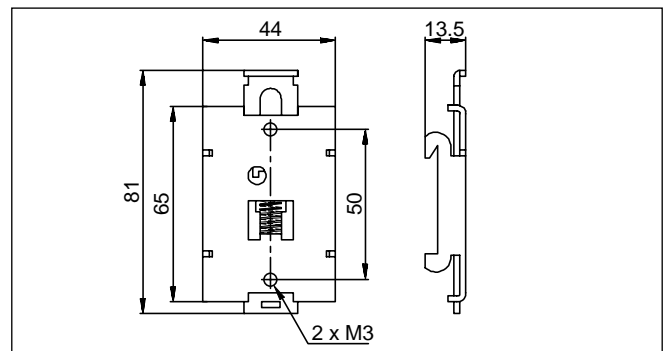
Dimensions in mm

RHS00

DIN rail adapter RHS00 is intended for mounting a heatsink assembly or a 1-phase relay directly on a DIN-rail.

Material

Electroplated steel



Dimensions in mm